

BRETT AQUALINE TECHNICAL BULLETIN

BL-40 COMBO VALVE RELAY WIRING ERROR

April 30, 1999

DESCRIPTION:

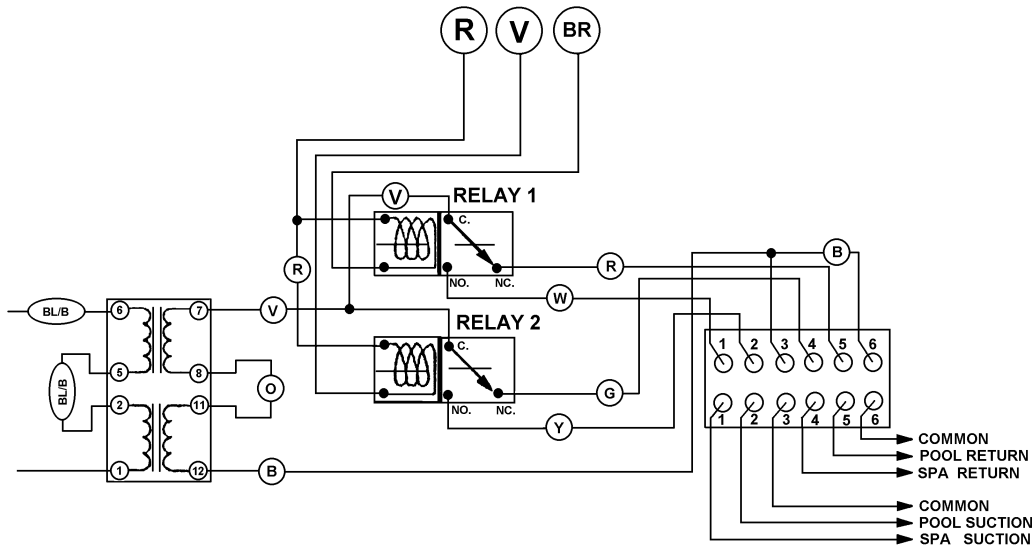
A small percentage of BL-40 Combo units may have a valve relay wiring error which may prevent the pool and spa valves from operating upon initial startup.

PRODUCT EFFECTED:

The error may exist on any model BL-40 Combo with a Catalog number of 24-2050 manufactured between April 1998 and April 1999.

CORRECTIVE ACTION:

Should one of these units have valves that fail to operate properly upon startup, check the factory "pool suction" and "spa return" wiring. The correct wiring should be "POOL SUCTION" (yellow wire) connected to the valve relay's Normally Open (N.O.) terminal and the "SPA RETURN" (green wire) connected to the valve relay's Normally Closed (N.C.) terminal. The correct valve wiring is shown below.



BL-40 COMBO CORRECT VALVE WIRING DIAGRAM