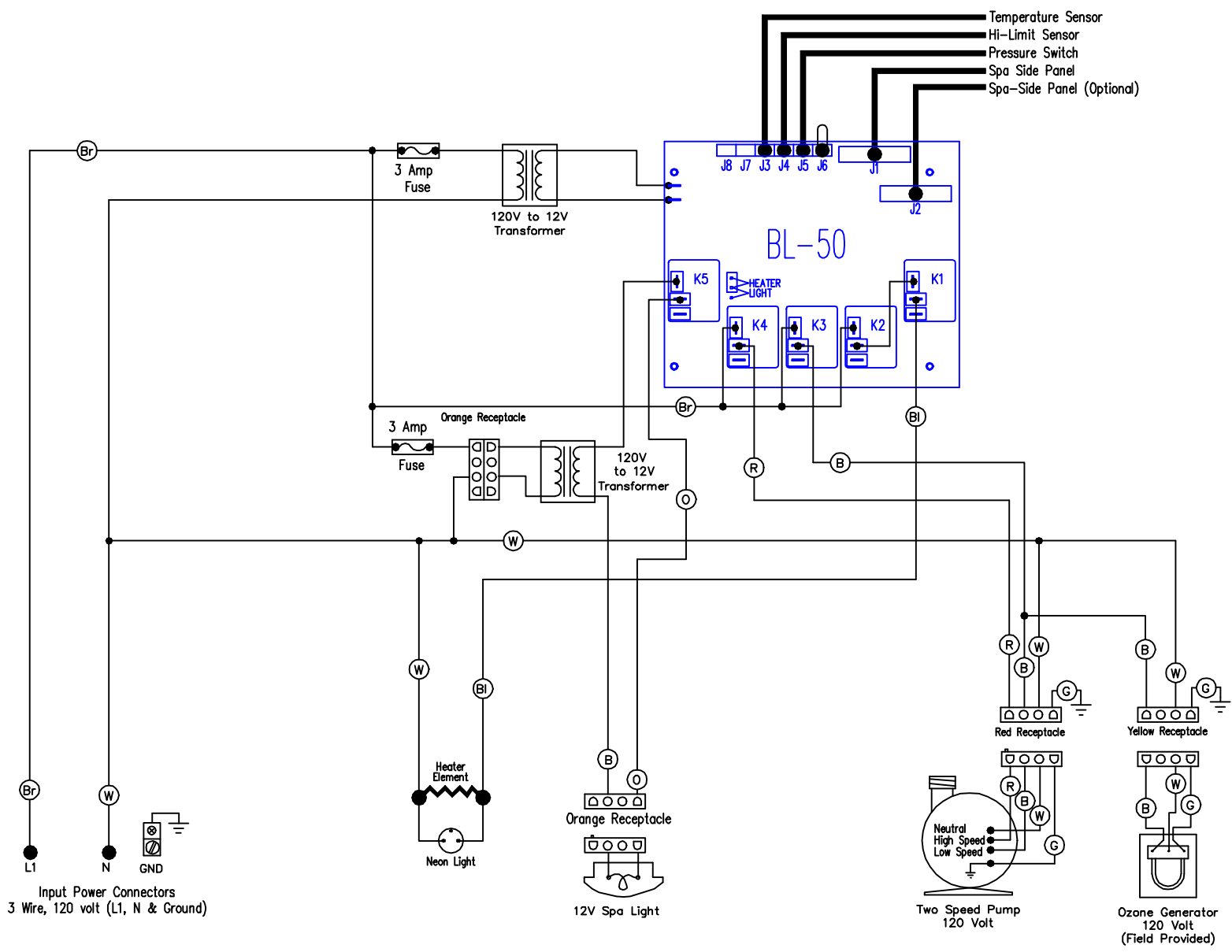


On-Board Relays	
K1	= Heater
K2	= Hi Limit
K3	= Filter
K4	= Jet
K5	= Light



BRETT AQUALINE, INC. HUNTINGTON BEACH, CA (714) 891-7211		Notes:	Drawing ID: 0070				Wire Color Code				
Catalog Series: ANY	Certification Code: -	Model Series: 12 thru 19, Z4 or Z9	Input Power: 2,4,A or B	Air Blower: 4	Heater: 1,2,3 or 5	Internal Controls: D2	Spa Light: A,X or Y	Additional Pump:	Additional Info:	B - Black	G - Green
Electronic Controls		Note: 1. Pump & air blower may not be provided by Brett Aqualine			Dwg No: -a2c1d2baa1	Date: 12-7-95	Rev: 7	Dm by THM	Aprv	Br - Brown	Bl - Blue
										R - Red	V - Violet
										O - Orange	Gr - Gray
										Y - Yellow	W - White